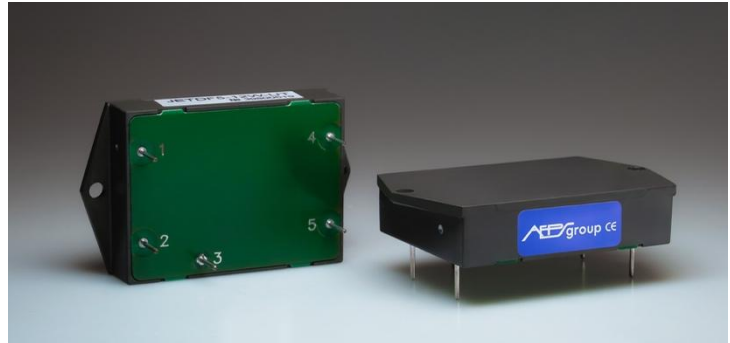


Features

- For DC networks
- Nominal current up to 5 A
- Case operating temp. range up to -60...+130 °C
- 40x30x10 (mm) metal case (dimensions without flanges)
- Variants input:
- 12W, 24W
- Minimum insertion 55 dB for 1-10 MHz
- Overvoltage protection



Description

JETDF5 - protection and filtration modules (filters) for harsh environment are designed to operate in DC networks and to protect analog and digital equipment from surges and to filter noises in the input and output circuits of the modules and power supply units. Filters are suitable for all types of applications and feature wide temperature range that allows their application in equipment designated for different climatic conditions, including high humidity. High reliability is guaranteed by using the newest component base. Amorphous nanocrystal line cores in common mode chokes provide reliable noise filtering and temperature stability. Maximum effect is achieved when combining the application of these filters with DC/DC power supplies produced by AEPs-group.

Models				
Model*	Input voltage range	Voltage suppression @ 1mA	Rated current	Current surge, max. 8/20 μs
JETDF5-12W-xT	10.5-40 VDC	44-49 VDC	5.00 A	0.25 kA
JETDF5-24W-xT	17-84 VDC	94-104 VDC		1.2 kA

* Index of flanges availability (instead of X): with flanges (U), without flanges (C)

General specifications

Temperature ranges	operating case temp.	-60° C to +130° C
	storage temp.	-60° C to +130° C
Thermal mode and cooling method		conductive via heatsink or natural convection
Thermal resistance	case-environment	12.5 K/W typ.
Humidity (non-condensing)		5-95 % rel. H
Insulation	input/case, output/case	1000 VDC
Isolating resistance @ 500 VDC		>20 MOhm
Thermal shock, mechanical shock & vibration		MIL-STD-810F
Safety standards		IEC/EN 60950-1
Typical MTBF	Tcase = 25° C	1 300 000 hrs
Weight (max)		30 g

Output specifications

Insertion loss in frequency range	0.15-0.3 Mhz	≥15 dB
	0.3-1 Mhz	≥35 dB
	1-10 Mhz	≥55 dB
	10-30 Mhz	≥50 dB
Filter voltage drop		≤2,3 VDC

Please contact the tech. team at aeps@aeps-group.cz for more information.

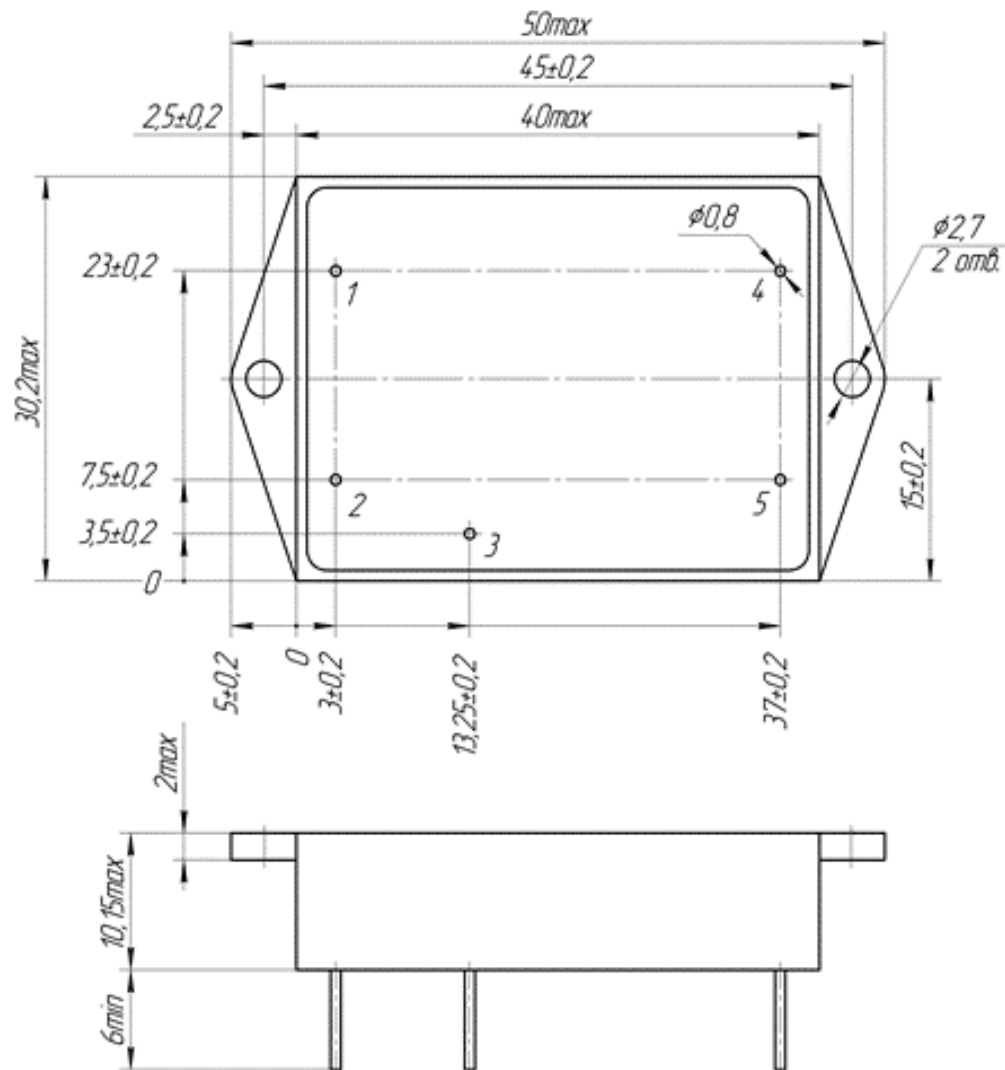
All specifications are valid for normal climatic conditions, nominal output voltage and current, unless otherwise stated.

Dimensions

1	2	3	4	5
+IN	-IN	CASE	+OUT	-OUT

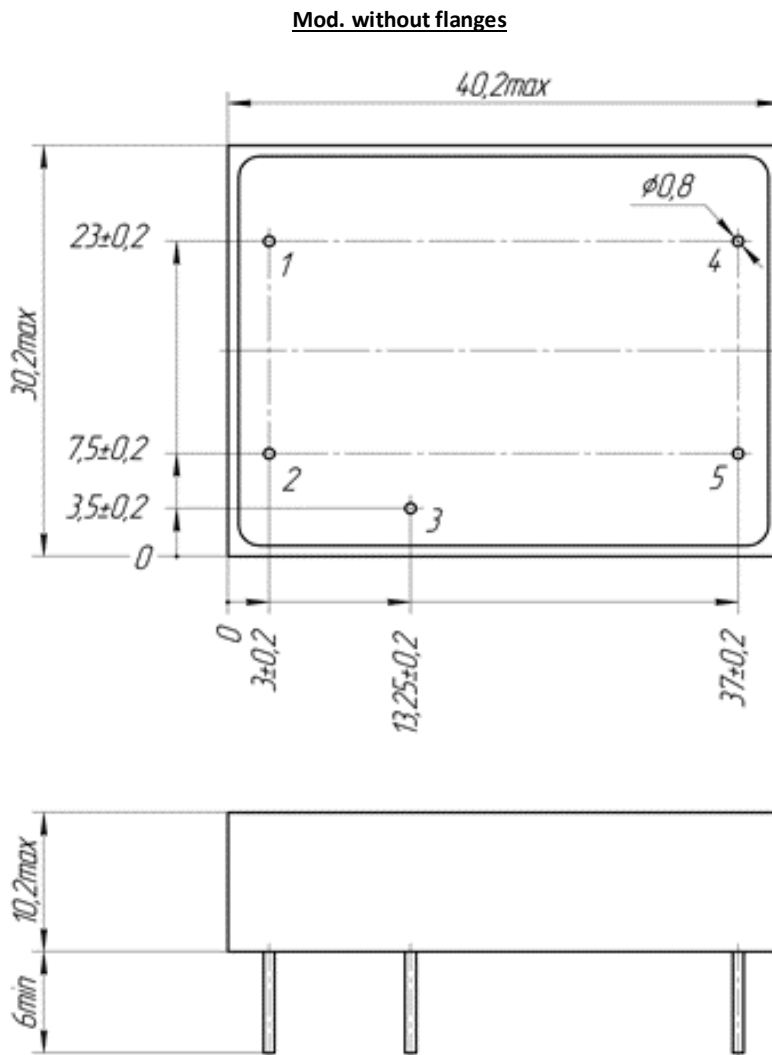
Dimensions in millimeters

Mod. with flanges



1	2	3	4	5
+IN	-IN	CASE	+OUT	-OUT

Dimensions in millimeters



Additional information

Please, note that all information in this material is for reference only. Further detailed information (including: additional requirements, manuals and circuit schemes) is found at www.aeps-group.com or provided via an email request at aeps@aeps-group.cz. All pictures shown are for illustration purpose only, actual product appearance may vary, incl. inner components choice and placement and connectors placement.

According to company's policy in view of constant improvements of the production design the manufacturer reserves the right to change the contents of specifications and promotional materials without prior notice! Make sure you are using the latest documentation downloadable at www.aeps-group.com.

© «AEPS-GROUP». All rights reserved.