

## Features

- Output power up to 100 W, 17 W/inch<sup>3</sup>
- Operating case temperature -50 ... +95 °C
- Efficiency up to 91 %
- Case dimensions 100x51x19 (mm) - A1
- CNC milled case
- Component polymer potting protection
- Input "230W" or "115", 50 Hz (400 Hz)
- 1 or 2 galvanically isolated channels



## Description

**JETA-LP** series of 1-phase AC/DC isolated power supply units meant for operation in harsh environmental conditions. The combination of electro-technical and mechanical parameters creates versatility for the series to be used in various application fields: both low and high altitude in unprotected equipment compartments, in all types of transport, in supercomputers, in low and high temperature environments, digital signage equipment, in radar systems. The series is an optimal fit for any environment which requires low-profile, minimized dimensions and weight, high efficiency and wide temperature range.

## Ordering information

**JETA 100 - LP - 230W S 05 - W - A1**

1            2            3            4            5            6            7            8

- 1 Series name.
- 2 Nominal output power, W: default **100 W**, other output power limits may be provided on request.
- 3 Part of series name.
- 4 Input voltage range: default "**230W**" **100-264 VAC**; possible to provide "**115**" range on request.
- 5 Number of output channels: "**S**" - 1 channel, "**D**" - 2 channels.
- 6 Nominal output voltage of channel or channels; i.e., for 2 channels of 5 VDC each - "**0505**".
- 7 Index of case operating temperature range: "**W**" - default **-50 ... +95 °C**; other temperature ranges possible on request.
- 8 Index of case form-factor.

Base models (1 channel)					
Model part number	Input voltage	Output power	Output voltage	Output current per channel	Typical efficiency at 70 % load
JETA100-LP-230WS05-W-A1	100-264 VAC (230 VAC nom.) or DC equivalent	80 W	05 VDC	16.00 A	88 %
JETA100-LP-230WS12-W-A1		100 W	12 VDC	8.33 A	90 %
JETA100-LP-230WS15-W-A1		100 W	15 VDC	6.67 A	90 %
JETA100-LP-230WS24-W-A1		100 W	24 VDC	4.17 A	91 %
JETA100-LP-230WS27-W-A1		100 W	27 VDC	3.70 A	91 %
JETA100-LP-230WS36-W-A1		100 W	36 VDC	2.78 A	91 %
JETA100-LP-230WS48-W-A1		100 W	48 VDC	2.08 A	91 %
JETA100-LP-230WS60-W-A1		100 W	60 VDC	1.67 A	91 %

Base models (2 channels)					
Model part number	Input voltage	Output power	Output voltage	Output current per channel	Typical efficiency at 70 % load
JETA100-LP-230WD0505-W-A1	100-264 VAC (230 VAC nom.) or DC equivalent	80 W	2 x 05 VDC	8.00 A	83 %
JETA100-LP-230WD1212-W-A1		100 W	2 x 12 VDC	4.17 A	86 %
JETA100-LP-230WD1515-W-A1		100 W	2 x 15 VDC	3.33 A	86 %
JETA100-LP-230WD2424-W-A1		100 W	2 x 24 VDC	2.08 A	87 %
JETA100-LP-230WD2727-W-A1		100 W	2 x 27 VDC	1.85 A	87 %
JETA100-LP-230WD3636-W-A1		100 W	2 x 36 VDC	1.39 A	87 %
JETA100-LP-230WD4848-W-A1		100 W	2 x 48 VDC	1.04 A	87 %
JETA100-LP-230WD6060-W-A1		100 W	2 x 60 VDC	0.83 A	87 %

### Additional ordering information:

- 1) The units may be provided with a different range of input voltage on request, please see available ranges in our [selection guide](#).
- 2) Units with non-standard output voltage may be provided on request.
- 3) Units with non-standard output power may be provided on request.

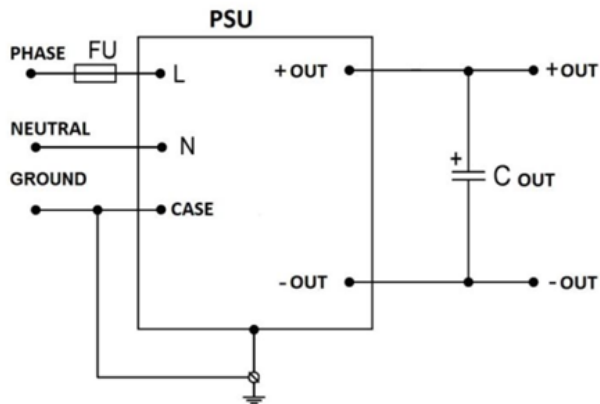
General characteristics <sup>3</sup>		
Switching frequency		200 kHz typ. (PWM modulation)
Temperature ranges	case operating temperature	-50° C ... +95° C (default "W")
	storage temperature	-50° C ... +100° C
Over-temperature protection		+95° C typ.
Thermal mode and cooling method	cooling methods, from most preferred (for the unit to be used with a coldplate or heatsink it's necessary to consult with the producer)	1. Conductive - heatsink-coldplate 2. Forced air heatsink cooler 3. Convectional heatsink cooling with vertical orientation of itself and vertical orientation of its ribs for free air flow from bottom to top
Thermal resistance	case to ambient	6 K/W
Humidity (non-condensing)		5-95 % rel. H
Insulation	in/case	1500 VAC
	in/out	3000 VAC
	out/case	500 VAC
	out/out	500 VDC
Isolating resistance @ 500 VDC		>20 MOhm
Thermal shock, mechanical shock & vibration		MIL-STD-810F
Safety standards		IEC/EN 60950-1
Typical MTBF	Pout = 0.7·Pout,max	130 000 hrs (Tcase = 25° C)
Weight (max)		160 g
Input characteristics <sup>3</sup>		
Input voltage range (with power derating)	"230W"	100-264 VAC, nominal 230 VAC, 50 Hz
	DC equivalent	140-372 VDC, nominal 324 VDC
Start-up input voltage		typ. 90 VAC
EMC standard compliance <sup>1</sup>	with JETAf1 filter – CE 102 MIL-STD-461F	
Power Factor typ.		>0.67
Output characteristics <sup>3</sup>		
Power derating based on input voltage	linear derating, for input "230W"	derating from 100 W to 60 W with input voltage decrease from 175 VAC to 100 VAC
Output voltage adjustment	-	
Output voltage regulation <sup>2</sup>	input variance Uin,min to Uin,max	±1 %
	load variance 10 % to 100 %	<1 % for load 10-100 %
Ripple and noise (peak-to-peak)	20 MHz bandwidth	<1 % for load 10-100 %
Protection	over-current	auto-reset at 110-140 % of Iout,nom
	over-voltage	<130 % Uout
Capacitive load (max)	24 VDC, 50% Pout,nom	typ. 5 000 uF
Remote OFF	-	

1. See available filters on [www.aeps-group.com](http://www.aeps-group.com).

2. For secondary loads 30-100 % with main channel load set in range of 30-100 %, load variance for secondary channels may reach ±13 %.

3. All specifications are valid for normal climatic conditions, nominal output voltage and current, unless stated otherwise.

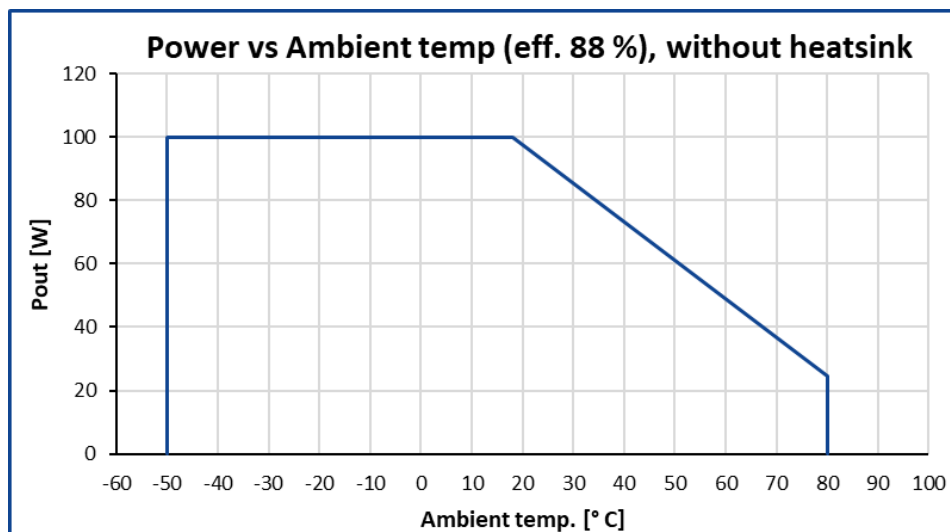
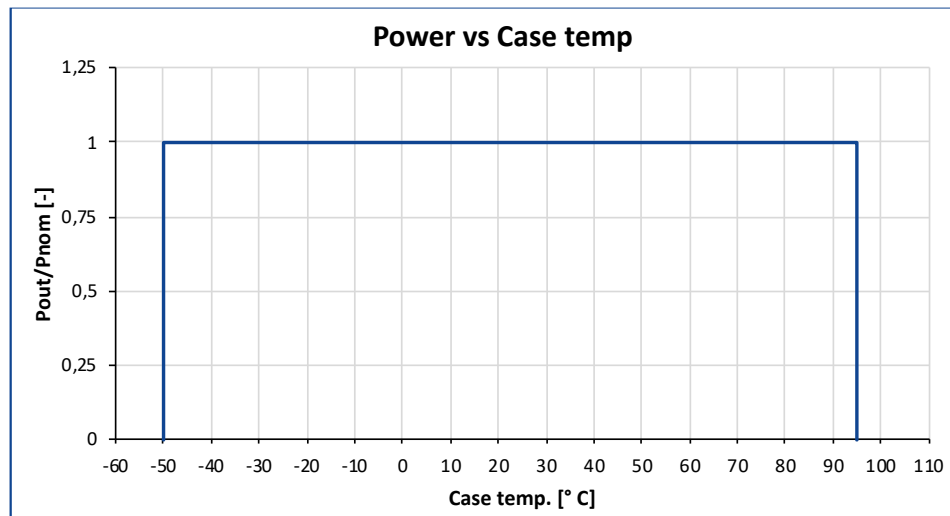
## Minimal connection scheme



In any system application it's necessary to at least use minimal connection scheme consisting of components shown on the picture.

C out – chosen in accordance with Technical Reference Manual (see on our website).

## Power-temperature relationship



## Additional application information

### 1. Value of case temperature

The case temperature is measured at the middle of the long side of the case base. When using a thermocouple, it is necessary to attach the thermocouple conductors to the base surface at a distance of at least 20 mm from thermocouples head. **The thermocouple measuring end and its conductors must be covered with a layer of heat-conducting paste 2-3 mm thick to provide correct measurements.**

### 2. Possible cooling methods

- 1) Conductive cooling with aluminum (or copper) **heatsink or coldplate, with base at least 2 mm thick.**
- 2) Forced air.
- 3) Convectional heatsink cooling with vertical orientation of itself and vertical orientation of its ribs for free air flow from bottom to top.

**To use the units without a heatsink it's necessary to consult with the producer.**

Most of the unit's dissipated heat (93-95 %) is concentrated **on the BOTTOM SIDE of the unit (fully metal surface)** which must be attached to the heatsink-coldplate or ribbed heatsink surface. Requirements for the heatsink surface (preferably CNC milled) - flatness tolerance of the heatsink surface must be lower than 0.1 mm per 100 mm of length.

### 3. Unit heatsink fixation

Mounting screws tightening order should be following: first the central screw (mandatory if available), then one pair of diagonally placed screws, then another pair of diagonally placed screws. First installation of the screws should be done without force. Then all the screws should be tightened with the recommended torque.

For quality contact between the unit and a heatsink - it's necessary to use thermal conductive paste with thickness less than 0.1 mm, with thermal conductivity **greater than 2 W/K.m**. The paste must be applied with mesh stencil in a pattern of squares (i.e. 2x2 mm to 4x4 mm squares mm with 0.5-1 mm spacing between the squares). This allows paste to be evenly spread in a thin layer and excess air to escape when tightening screws during unit mounting.

### 4. Short-term unit operation

If it's necessary to shortly turn on the unit for 3-5 minutes (for example for input-control testing), an aluminium (copper) coldplate must be used as a heatsink. Its width and length must be not less than of the unit itself, with thickness at least 8 mm. The unit must be placed on coldplate through a thin (0.15-0.3 mm) silicone-based heat-conducting sheet.

## 5. Thermal protection tripping

When internal unit's thermal protection is tripped the unit is turned off (until automatic restart) and "OGOOD" outputs state becomes high-resistance (where available). **Such state should lead to measures of forced heatsink cooling, for example via fans turn-on.** Time before automatic restart of the unit after thermal protection tripping can last from several seconds up to several minutes depending on thermal inertia of the heatsink.

## 6. Operation with shorted outputs

The units have a short-circuit output protection. **The protection is for emergency only, not for long-term operation. It's prohibited to use the units with shorted outputs (the units have the special detectors inside).**

If you have any questions, please contact us directly at [aepe@aepe-group.cz](mailto:aepe@aepe-group.cz).

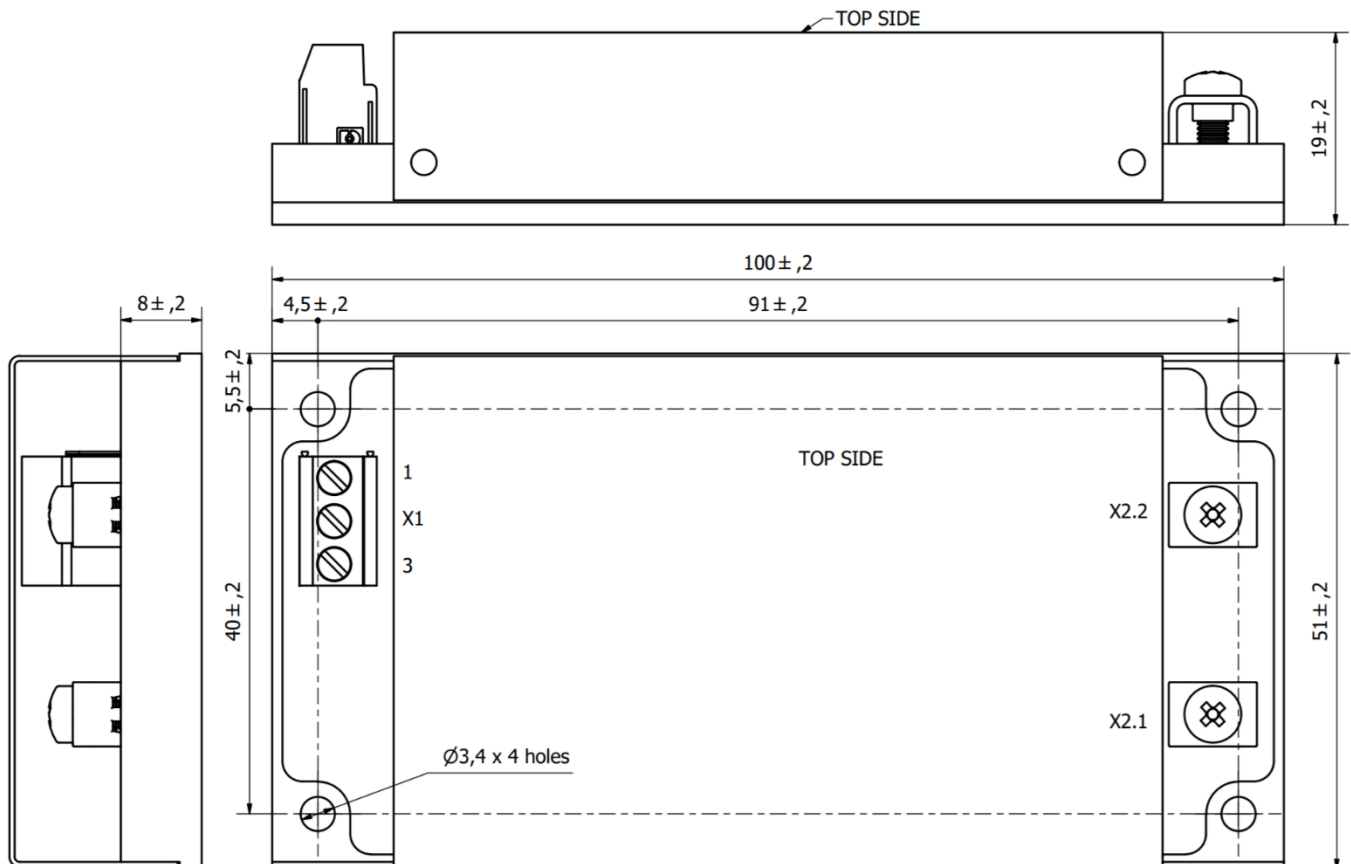
## Dimensions

Pin #	X1.1	X1.2	X1.3	X2.1	X2.2	X2.3	X2.4
One channel	GND	L	N	+OUT	-OUT	-	-
Two channels	GND	L	N	+OUT1	-OUT1	+OUT2	-OUT2

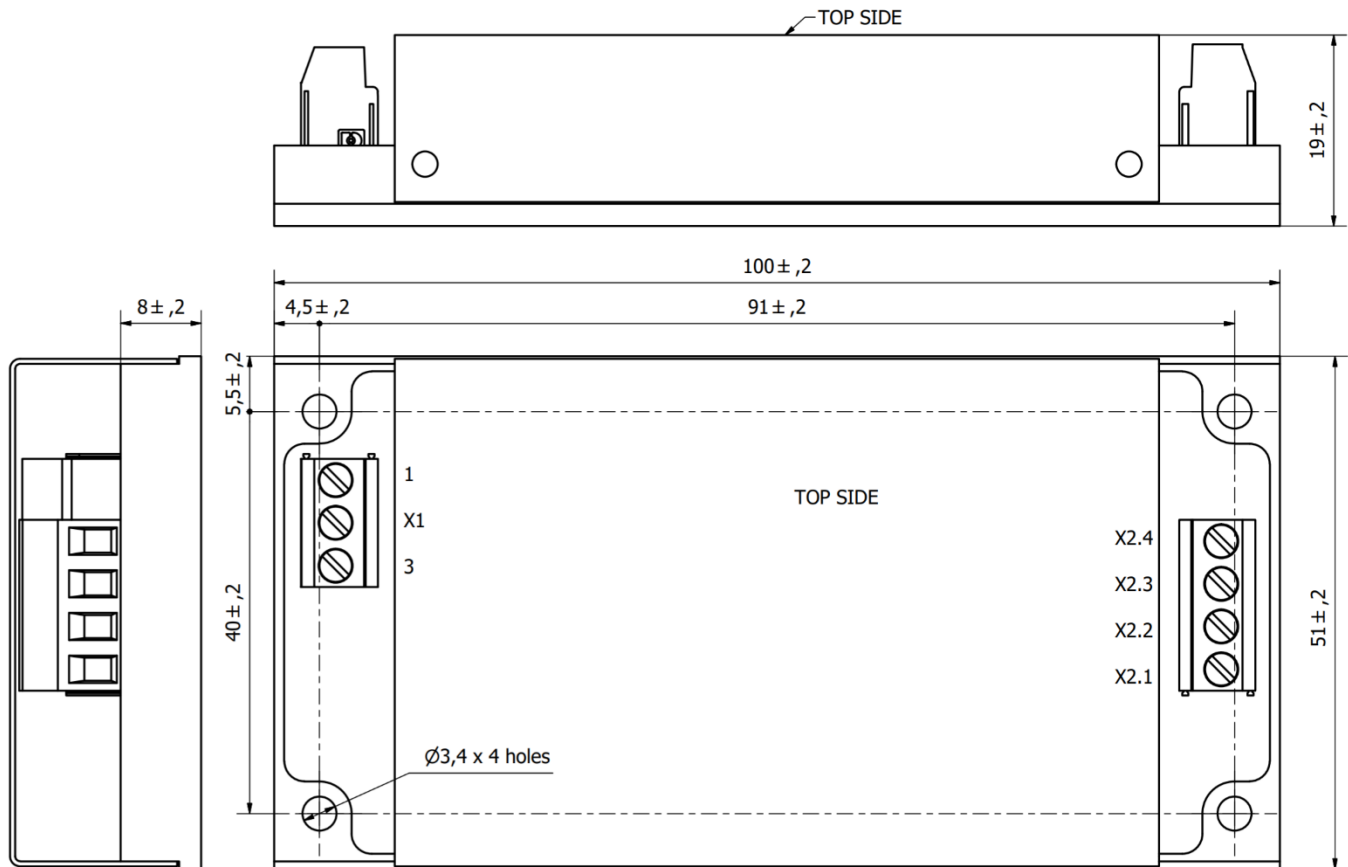
<b>X1</b>	RATED WIRE SIZE SOLID: max.: 3.3mm <sup>2</sup> Stranded (flexible): max.: 3.3mm <sup>2</sup> Stranded with Ferrule: max 3.3mm <sup>2</sup> Screw size: M3 Torque: 0,5 Nm
<b>X2</b>	Screw size: 6-32 x 1/4L Recommended torque: 0.5Nm Recommended: Use ring terminal, for example MOLEX 19323-0007, MOLEX 19324-0007 <u>OR same spec as X1 for Dual Models</u>

Dimensions in millimeters, cover rivets may protrude beyond case cover by 0.4 mm on each long side

### One channel



## Two channels



## Additional information

After ordering the product - the customer is fully responsible for applying the product in strict compliance with mentioned rules and principles of use in the product datasheet and reference technical material (RTM) which is downloadable at [www.aeps-group.com](http://www.aeps-group.com).

Please, note that all information in this material is for reference only. Further detailed information (including: additional requirements, manuals and circuit schemes, etc.) is found at [www.aeps-group.com](http://www.aeps-group.com) or provided via an email request at [aeps@aeps-group.cz](mailto:aeps@aeps-group.cz). All pictures shown are for illustration purpose only, actual product appearance may vary, incl. inner components choice and placement and connectors placement.

According to company's policy in view of constant improvements of the production design the manufacturer reserves the right to change the contents of specifications and promotional materials without prior notice! Make sure you are using the latest documentation downloadable at [www.aeps-group.com](http://www.aeps-group.com).

© «AEPS-GROUP». All rights reserved.